

# MOBILE

Idropultrice acqua fredda - Nettoyeur à eau froide  
Kaltwasser-Hochdruckreiniger - Cold water high pressure washer  
Hidrolimpiadora agua fría



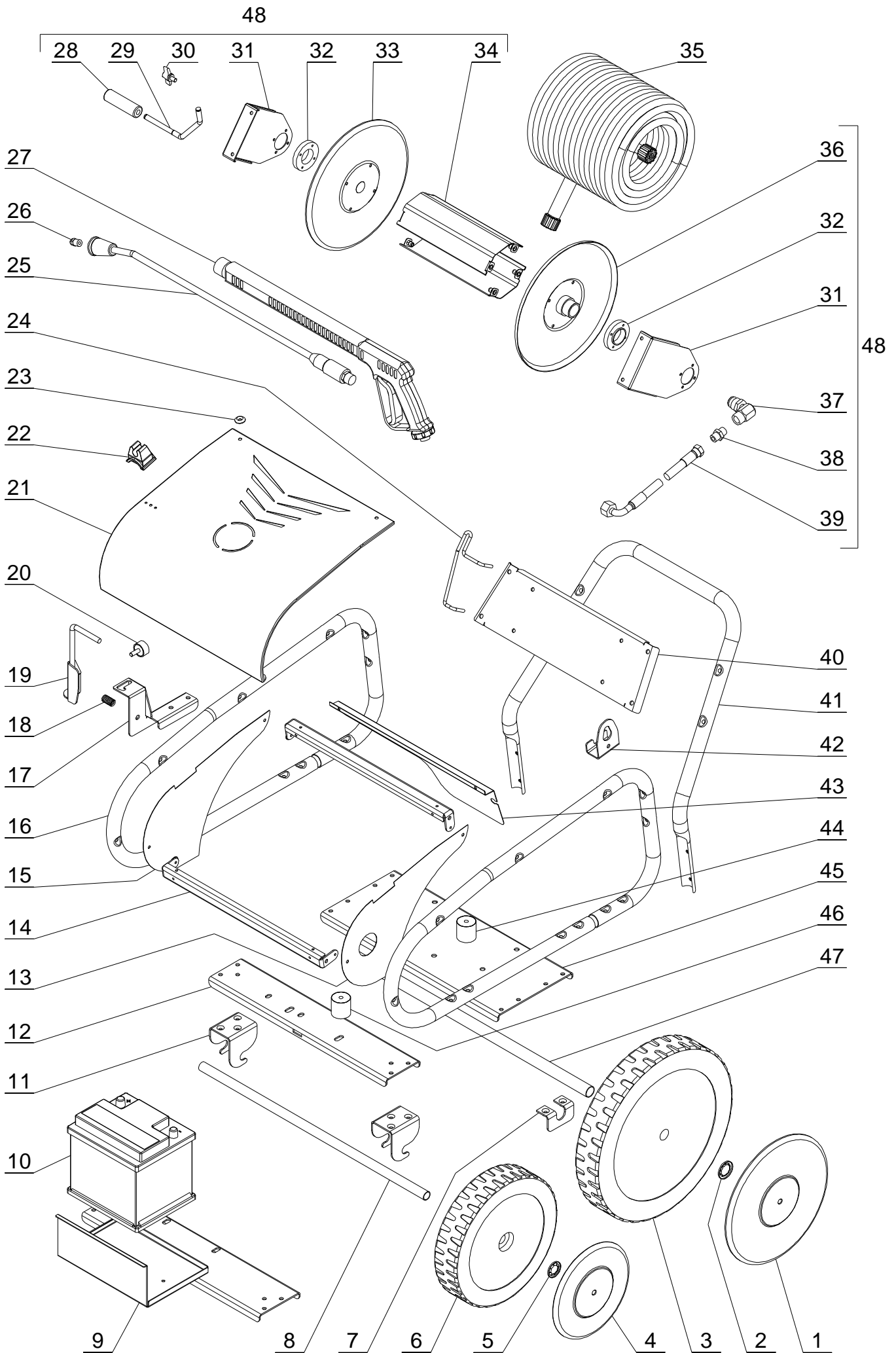
L-LC077.01-BM

28/07/2015

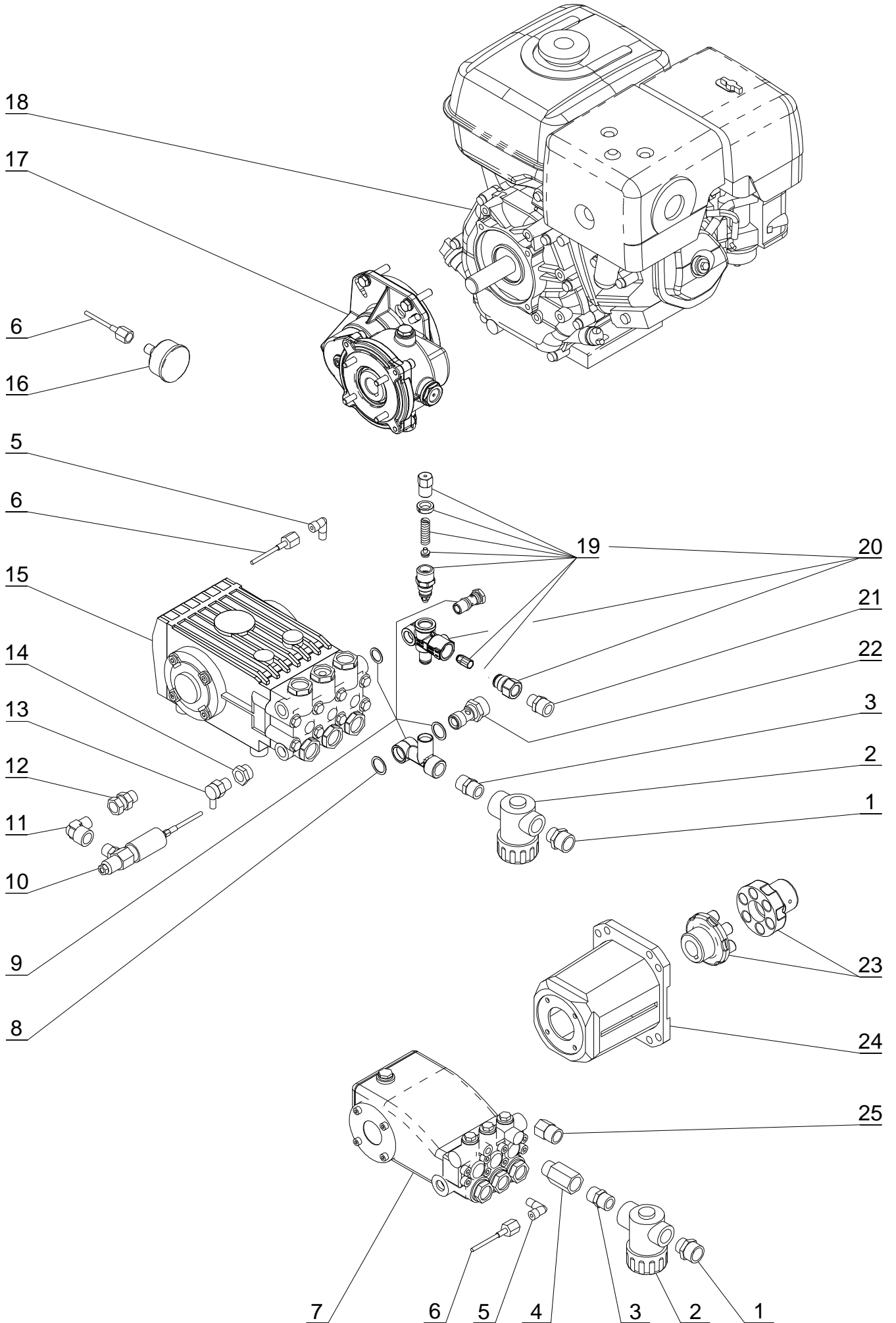
ASS. MOBILE

**EXPLODED VIEW**

TABLE N° EXPL00132



REF	CODE	QTY	DESCRIPTION	DENOMINATION	BESCHREIBUNG	DESCRIPCION	DESCRIZIONE	TECNICAL FEATURES
01	B. CRDS00867	02	HUB CAP	ENJOLIVEUR	HABENDECKEL	TAPA EJE	COPRIMOZZO	
02	M20204	02	WASHER	RONDELLE	DICHTUNG	ARANDELLA	RONDELLA	
03	B. RUOT00037	02	WHEEL	ROUE	LAUFRAD	RUEDA	RUOTA	
04	B. CRDS00868	02	HUB CAP	ENJOLIVEUR	HABENDECKEL	TAPA EJE	COPRIMOZZO	
05	M20203	02	WASHER	RONDELLE	DICHTUNG	ARANDELLA	RONDELLA	
06	B. RUOT00036	02	WHEEL	ROUE	LAUFRAD	RUEDA	RUOTA	
07	B. CRVR00731	02	BRACKET	ENTRIER	BUGEL	GRAPA	STAFFA	
08	B. CRVR00730	01	AXLE	AXE	ACHESE	EJE	ASSE	
09	B. CRVR00734	01	SUPPORT	SUPPORT	HALTER	SOPORTE	SUPPORTO	200/21D - 200/21L
10	121AC132	01	BATTERY	BATTERIE	BATTERIE	BATERIA	BATTERIA	OPTIONAL 200/21D 200/21L
11	B. CRVR00732	02	BRACKET	ENTRIER	BUGEL	GRAPA	STAFFA	
12	B. CRVR00727	01	SUPPORT	SUPPORT	HALTER	SOPORTE	SUPPORTO	
13	B. CRDS00862	01	HOOD	CAPOT	HAUBE	COFRE	COFANO	
14	B. CRVR00728	02	REINFORCEMENT	RENFORT	VERSTARKUNG	REFUERZO	RINFORZO	
15	B. CRDS00861	01	HOOD	CAPOT	HAUBE	COFRE	COFANO	
16	B. CRVR00724	02	FRAME	CHASSIS	GERUST	CHASIS	TELAIO	
17	B. CRDS00871	01	BRACKET	ENTRIER	BUGEL	GRAPA	STAFFA	
18	B. MOLL00027	01	SPRING	RESSORT	FEDER	MUELLE	MOLLA	
19	B. CRDS00872	01	LEVER	LEVIER	HEBEL	PALANCA	LEVA	
20	B. CMSP00038	01	VIBRATION DAMP.	AMORTISATEUR	SCHVINGUNSDAMP.	ANTIVIBRANTE	ANTIVIBRANTE	
21	B. CRDS00860	01	HOOD	CAPOT	HAUBE	COFRE	COFANO	
22	B. PLDS00325	01	SUPPORT	SUPPORT	HALTER	SOPORTE	SUPPORTO	
23	B. VTRD00001	04	WASHER	RONDELLE	DICHTUNG	ARANDELLA	RONDELLA	
24	B. CRDS00870	01	SUPPORT	SUPPORT	HALTER	SOPORTE	SUPPORTO	
25	01AC402	01	LANCE	LANCE	LANZEN	LANZA	LANCIA	
26	I50276	01	NOZZLE	BUSE	DUSE	BOQUILLA	UGELLO	200/12
26	I50284	01	NOZZLE	BUSE	DUSE	BOQUILLA	UGELLO	200/15
26	I50307	01	NOZZLE	BUSE	DUSE	BOQUILLA	UGELLO	200/21
26	I50202	01	NOZZLE	BUSE	DUSE	BOQUILLA	UGELLO	250/16
27	01AC422	01	GRIP	POIGNEE	HANDGRIFF	EMPUNADURA	IMPUGNATURA	
28	B. CMMP00001	01	GRIP	POIGNEE	HANDGRIFF	EMPUNADURA	IMPUGNATURA	
29	B. TNPE00050	01	LEVER	LEVIER	HEBEL	PALANCA	LEVA	
30	B. CMMP00156	01	WING NUT	ELROU A AILETT.	FLUGELMUTTER	CHAVETA	GALLETTO	
31	B. CRDS00834	02	SUPPORT	SUPPORT	HALTER	SOPORTE	SUPPORTO	
32	B. PLDS00341	02	SPACER	ENTRETOISE	DISTANZSTUCK	DISTANCIADOR	DISTANZIALE	
33	B. CRDS00825	01	DISK	DISQUE	SCHEIBE	DISCO	DISCO	
34	B. CRDS00829	02	BODY	CORPS	KORPER	CUERPO	CORPO	
35	01AC425	01	HOSE	TUYAU	ROHR	TUBO	TUBO	
36	B. CRDS00826	01	DISK	DISQUE	SCHEIBE	DISCO	DISCO	
37	B. RCVR00207	01	CONNECTOR	RACCORD	VERBIND. STUCK	RACORD	RACCORDO	
38	I20102	01	NIPPLE	NIPPLE	NIPPEL	NIPLO	NIPPLO	
39	B. TURR00040	01	HOSE	TUYAU	ROHR	TUBO	TUBO	200/15D - 200/21D
39	B. TURR00039	01	HOSE	TUYAU	ROHR	TUBO	TUBO	200/12L - 200/21L - 250/16 - 200/21
40	B. CRDS00835	01	PLATE	PLAQUE	PLATTE	SOPORTE	PIASTRA	
41	B. CRVR00725	01	HANDLE	POIGNEE	SCHAKEL	MANILLAR	MANIGLIONE	
42	B. CRDS00869	04	HOOK	CROCHET	HAKEN	GANCHO	GANCIO	
43	B. CRDS00920	01	DEFLECTOR	DÉFLECTEUR	UMLENKBLECH	DESVIACIÓN	DEFLETTORE	
44	B. CMSP00111	02	VIBRATION DAMP.	AMORTISATEUR	SCHVINGUNSDAMP.	ANTIVIBRANTE	ANTIVIBRANTE	200/12L
44	B. CMSP00113	04	VIBRATION DAMP.	AMORTISATEUR	SCHVINGUNSDAMP.	ANTIVIBRANTE	ANTIVIBRANTE	200/21L - 250/16 - 200/21
45	B. CRVR00726	01	SUPPORT	SUPPORT	HALTER	SOPORTE	SUPPORTO	
46	B. CMSP00111	02	VIBRATION DAMP.	AMORTISATEUR	SCHVINGUNSDAMP.	ANTIVIBRANTE	ANTIVIBRANTE	200/12L - 200/21L - 250/16
46	B. CMSP00113	02	VIBRATION DAMP.	AMORTISATEUR	SCHVINGUNSDAMP.	ANTIVIBRANTE	ANTIVIBRANTE	200/21
47	B. CRVR00729	01	AXLE	AXE	ACHESE	EJE	ASSE	
48	01AC470	01	HOSE REEL	ENROULEUR	SCHLAUCHAUFROL.	ENROLADOR	AVVOLGITUBO	OPTIONAL



REF	CODE	QTY	DESCRIPTION	DENOMINATION	BESCHREIBUNG	DESCRIPCION	DESCRIZIONE	TECNICAL FEATURES
01	B. RCVR00173	01	CONNECTOR	RACCORD	VERBIND. STUCK	RACORD	RACCORDO	
02	I20506	01	FILTER	FILTRE	FILTER	FILTRO	FILTRO	
03	B. RCVR00011	01	CONNECTOR	RACCORD	VERBIND. STUCK	RACORD	RACCORDO	
04	B. RCVR00063	01	EXTENSION	RALLONGE	VERLANGERUNG	PROLONGACION	PROLUNGA	200/21L - 200/15D
05	B. RCVR00189	01	CONNECTOR	RACCORD	VERBIND. STUCK	RACORD	RACCORDO	
06	B. TUAP00005	01	HOSE	TUYAU	ROHR	TUBO	TUBO	
07	B. POMP00041	01	PUMP	POMPE	PUMPE	BOMBA	POMPA	200/21L
07	B. POMP00046	01	PUMP	POMPE	PUMPE	BOMBA	POMPA	200/12L
07	B. POMP00037	01	PUMP	POMPE	PUMPE	BOMBA	POMPA	250/16
07	B. POMP00047	01	PUMP	POMPE	PUMPE	BOMBA	POMPA	200/15L
08	B. VTRD00011	01	WASHER	RONDELLE	DICHTUNG	ARANDELLA	RONDELLA	200/21 - 200/21D - 200/12L - 250/16
09	B. VLRG00017	01	COLLECTOR	COLLECTOR	COLLECTOR	COLECTOR	COLLETTORE	KIT: 200/12L - 250/16
09	B. VLRG00020	01	COLLECTOR	COLLECTOR	COLLECTOR	COLECTOR	COLLETTORE	KIT: 200/21 - 200/21D
10	B. VLRG00025	01	DECELERATOR	DECELERATEUR	DROSSLER	DESACELERADOR	DECELERATORE	
11	I30711	01	CONNECTOR	RACCORD	VERBIND. STUCK	RACORD	RACCORDO	
12	I20602	01	CONNECTOR	RACCORD	VERBIND. STUCK	RACORD	RACCORDO	
13	E50414	01	VALVE	SOUPAPE	VENTIL	VALVULA	VALVOLA	
14	I20201	01	CONNECTOR	RACCORD	VERBIND. STUCK	RACORD	RACCORDO	
15	I10216	01	PUMP	POMPE	PUMPE	BOMBA	POMPA	200/21
16	S10307	01	PRESSURE GAUGE	MANOMETRE	DRUCKMESSER	MANOMETRO	MANOMETRO	
17	B. RCVR00012	01	GEARBOX	REDUCTEUR	GETRIEB	REDUCTOR	RIDUTTORE	200/21
17	B. RIDT00003	01	GEARBOX	REDUCTEUR	GETRIEB	REDUCTOR	RIDUTTORE	200/21L - 200/21D
18	B. MOSC00008	01	MOTOR	MOTEUR	MOTOR	MOTOR	MOTORE	200/12L
18	B. MOSC00009	01	MOTOR	MOTEUR	MOTOR	MOTOR	MOTORE	200/21L
18	B. MOSC00006	01	MOTOR	MOTEUR	MOTOR	MOTOR	MOTORE	200/21D
18	B. MOSC00001	01	MOTOR	MOTEUR	MOTOR	MOTOR	MOTORE	250/16 - 200/21
18	B. MOSC00010	01	MOTOR	MOTEUR	MOTOR	MOTOR	MOTORE	200/15D
19	TC 4079900014	01	VALVE	SOUPAPE	VENTIL	VALVULA	VALVOLA	200/21 - 200/21D - 200/12L - 250/16
20	B. VLRG00016	01	VALVE	SOUPAPE	VENTIL	VALVULA	VALVOLA	200/21 - 200/21D - 200/12L - 250/16
21	I20920	01	CONNECTOR	RACCORD	VERBIND. STUCK	RACORD	RACCORDO	200/21 - 200/21D - 200/12L - 250/16
22	B. RCVR00202	01	SCREW	VIS CREUSE	HOHSCHRAUBE	TORNILLO HUECO	VITE CAVA	200/21 - 200/21D - 200/12L - 250/16
23	B. CMSP00007	01	FLEX. COUPLING	ACCOUPLMENT FL	FLEX. KOPPELUNG	ACOPLADOR FLEX.	GIUNTO	250/16 - 200/15D
24	B. CMSP00006	01	FLANGE	BRIDE	FLANSCH	BRIDA	FLANGIA	250/16 - 200/15D
25	I20902	01	CONNECTOR	RACCORD	VERBIND. STUCK	RACORD	RACCORDO	200/21L - 200/15D

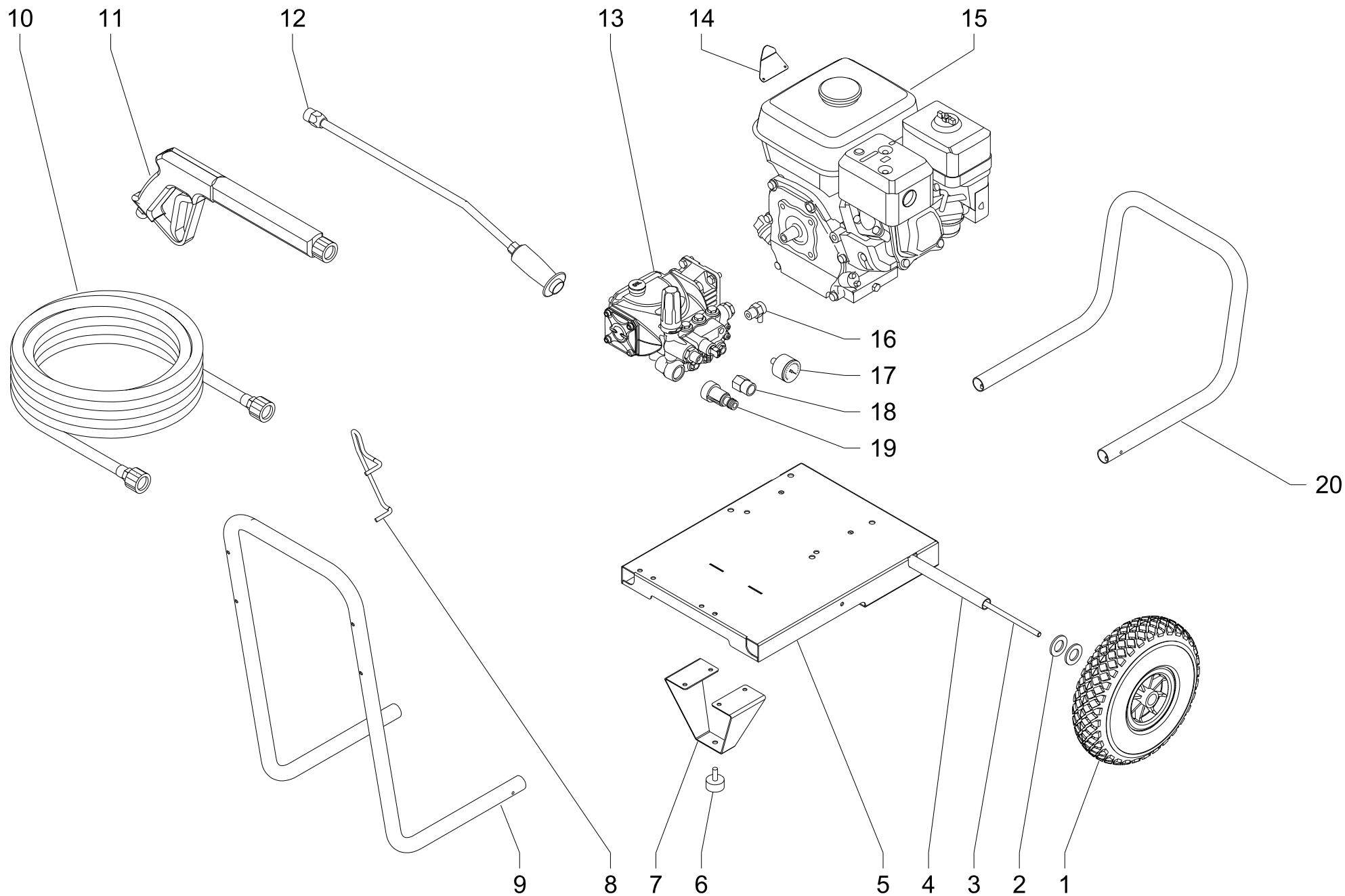


TABLE N° EXPL00145

## SPARE PARTS LIST

MOBILE 180.13 - 200.12

24/06/2016

REF	CODE	QTY	DESCRIPTION	DENOMINATION	BESCHREIBUNG	DESCRIPCION	DESCRIZIONE	TECNICAL FEATURES
01	B. RUOT00039	02	WHEEL	ROUE	LAUFRAD	RUEDA	RUOTA	
02	B. VTRD00068	04	WASHER	RONDELLE	DICHTUNG	ARANDELLA	RONDELLA	
03	B. VTSP00004	01	SCREW	VIS	SCHRAUBE	TORNILLO	VITE	
04	B. CRVR00744	01	AXLE	AXE	ACHESE	EJE	ASSE	
05	B. CRVR00737	01	FRAME	CHASSIS	GERUST	CHASIS	TELAIO	
06	B. CMSP00038	01	VIBRATION DAMP.	AMORTISATEUR	SCHVINGUNSDAMP.	ANTIVIBRANTE	ANTIVIBRANTE	
07	B. CRVR00742	01	BRACKET	ENTRIER	BUGEL	GRAPA	STAFFA	
08	B. CRDS00924	01	SUPPORT	SUPPORT	HALTER	SOPORTE	SUPPORTO	
09	B. CRVR00738	01	HANDLE	POIGNEE	SCHAKEL	MANILLAR	MANIGLIONE	
10	01AC489	01	HOSE	TUYAU	ROHR	TUBO	TUBO	
11	01AC435	01	GRIP	POIGNEE	HANDGRIFF	EMPUNADURA	IMPUGNATURA	
12	01AC439	01	LANCE	LANCE	LANZEN	LANZA	LANCIA	MOBILE 200.12
12	01AC486	01	LANCE	LANCE	LANZEN	LANZA	LANCIA	MOBILE 180.13
13	B. POMP00062	01	PUMP	POMPE	PUMPE	BOMBA	POMPA	MOBILE 180.13
13	B. POMP00061	01	PUMP	POMPE	PUMPE	BOMBA	POMPA	MOBILE 200.12
14	B. CRVR00743	01	BRACKET	ENTRIER	BUGEL	GRAPA	STAFFA	
15	B. MOSC00013	01	MOTOR	MOTEUR	MOTOR	MOTOR	MOTORE	MOBILE 200.12
15	B. MOSC00014	01	MOTOR	MOTEUR	MOTOR	MOTOR	MOTORE	MOBILE 180.13
16	E50414	01	VALVE	SOUPAPE	VENTIL	VALVULA	VALVOLA	
17	S10311	01	PRESSURE GAUGE	MANOMETRE	DRUCKMESSER	MANOMETRO	MANOMETRO	
18	I20902	01	CONNECTOR	RACCORD	VERBIND. STUCK	RACORD	RACCORDO	
19	B. RCVR00215	01	FILTER	FILTRE	FILTER	FILTRO	FILTRO	
20	B. CRVR00741	01	BUMPER	PARE CHOC	KOTFLUGEL	PARACHOQUE	PARAURTI	



---

BIEMMEDUE S.p.A. - Via Industria, 12 - 12062 - CHERASCO (CN) - Italy  
Tel. +39 0172 486111 - Fax +39 0172 488270  
[www.biemmedue.com](http://www.biemmedue.com) - e-mail: [bm2@biemmedue.com](mailto:bm2@biemmedue.com)